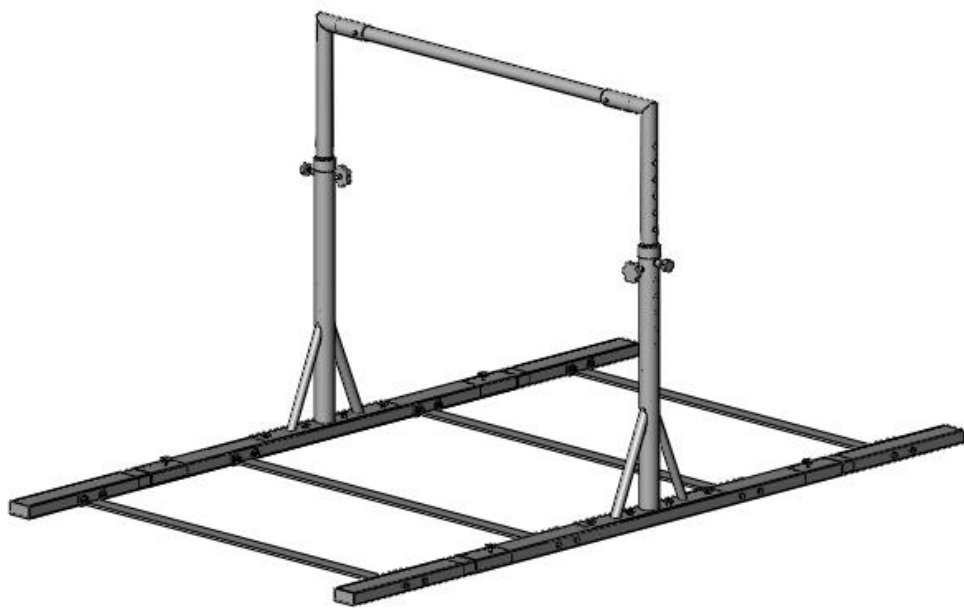
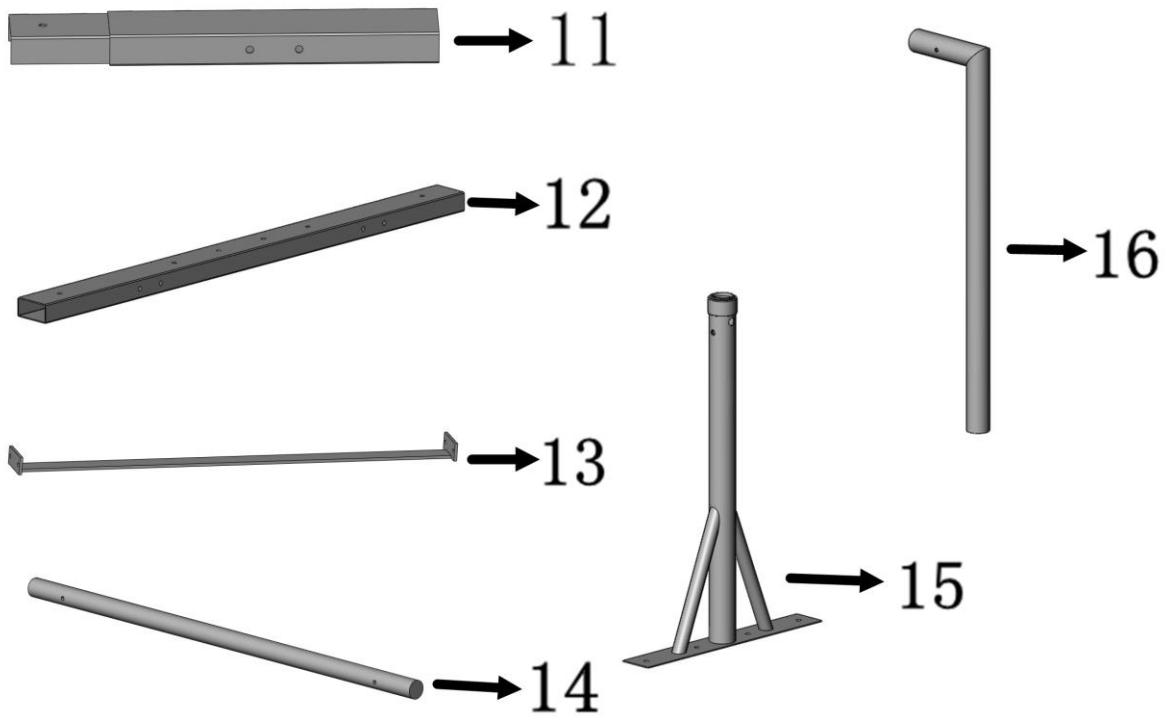
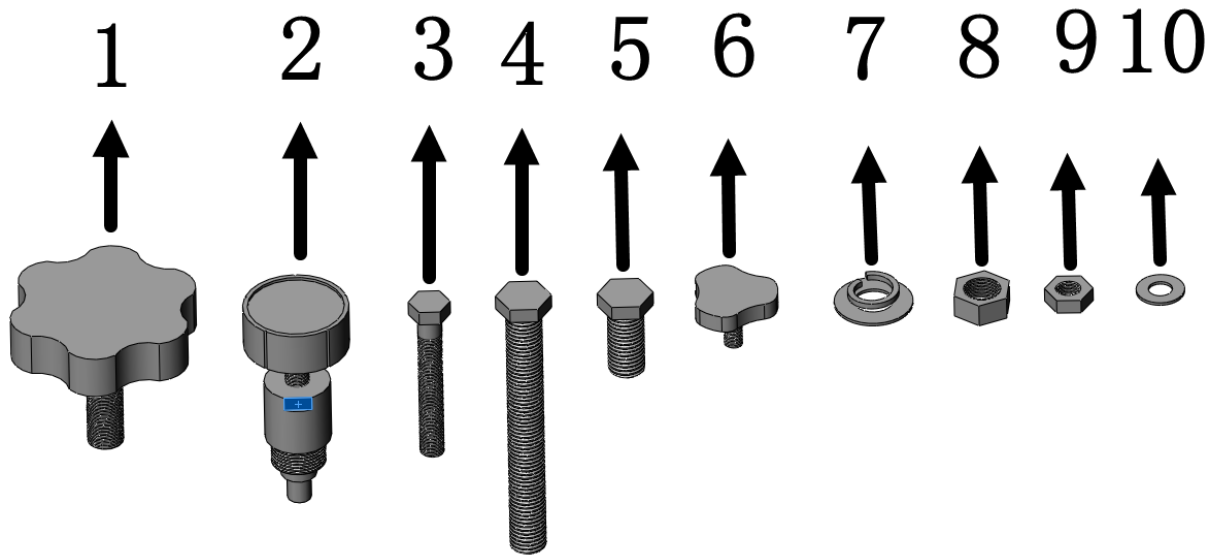


Heavy Duty Bar Installation



Parts:



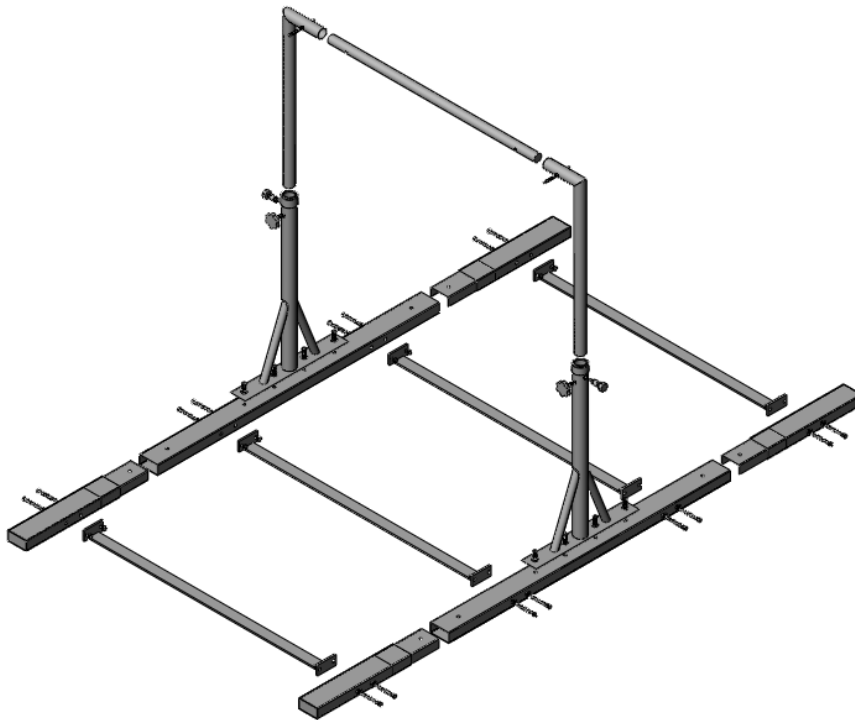
Fittings and quantity

Item	1	2	3	4	5	6	7	8
Quantity	2	2	2	16	8	4	24	16
Item	9	10	11	12	13	14	15	16
Quantity	2	2	4	2	4	1	2	2

Functions and positions of Fittings

Specification	Placement	Number	Quantity
Post fastening screw	Post	1	2
spring locking pin	Post	2	2
Dia8mm Screw	Crossbar	3	2
Dia12mm Long Screw	Connection and Base	4	16
Dia12mm Short Screw	Post and Base	5	8
Small Locking Bolt	Extension and Base	6	4
Dia12mm washers	Supporting the Use of Dia12mm Screw	7	24
No.12 Screw Nut	Supporting the Use of Dia12mm Long Bolt	8	16
No.8 Screw Nut	Supporting the Use of Dia8mm Screw	9	2
No.8 plat Pad	Supporting the Use of Dia8mm Screw	10	2
Extension	Connect with Base	11	4
Base		12	2
Connection	The Middle of Base	13	4
Crossbar		14	1
Height adjustable inside tube	Connect with Crossbar	15	2
Base post	Connect with Base	16	2

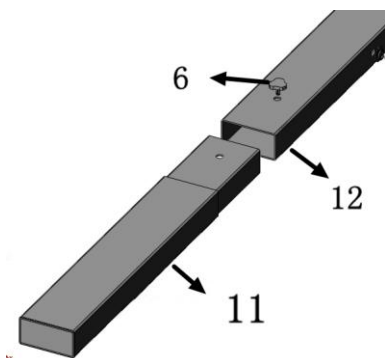
Overall Structure Diagram:



Assembly Instructions

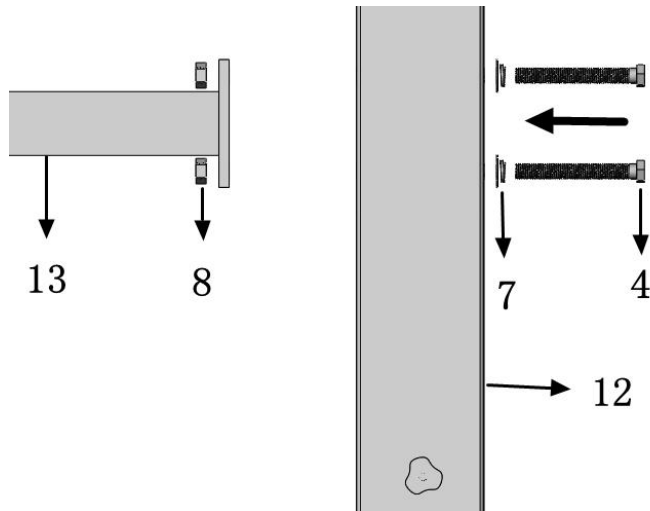
1.The Connection between Extension and Base

Let four item11 insert into both sides of item12 according to the arrow, using four item6 to fasten.



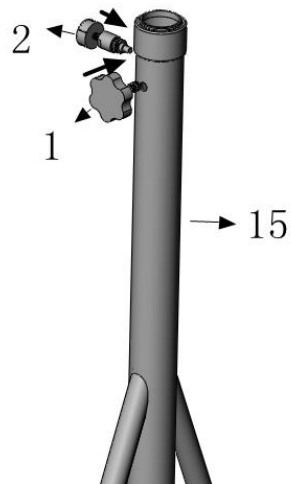
2.The Connection between Base and Iron Bar

Let two item4 pass through accessory kit to connect item12 and item13, using item8 to fasten. According to this order, the two sides of item13 and item12 are connected.



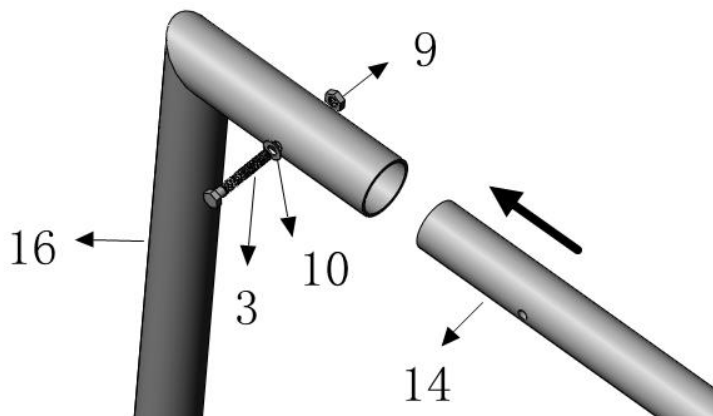
3. Install Post Parts

According to the direction of arrow, item1 and item2 connect with item15



4. Fasten the Crossbar's Post

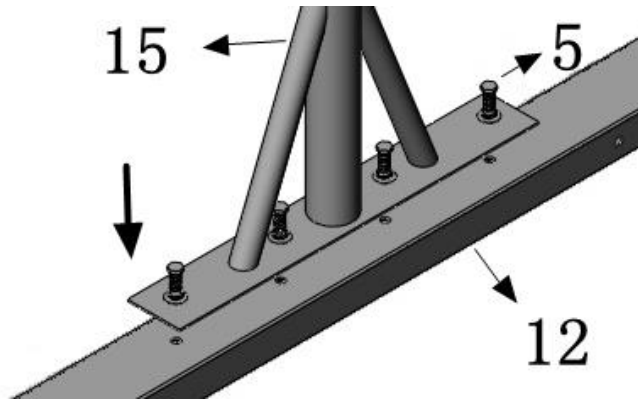
Let item14 insert into item16 in the direction of arrow. The hole of two parts are in a straight line. Using item3 pass through item10's hole to fasten item9.



4.The Connection between Post and Base

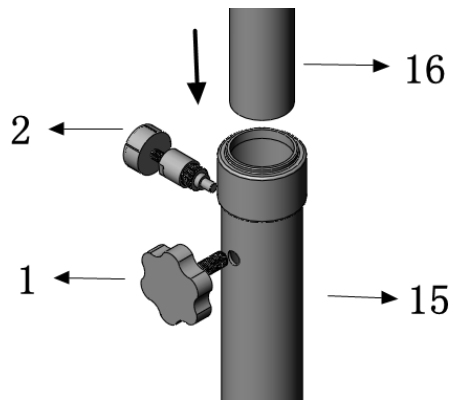
According to the direction of arrow, item15 and item12 use four item5 parts to assemble.

(Note: item2 part of Post is in the outer side.)



5.Installation of Post

After item14 and item16 assembled, let item15 insert into item16.



WARNING

- Please keep the balance beam away from humid environment to prolong the life time.
- This equipment must be used with proper mats, spotting equipment, and qualified spotters for each activity or skill.
- Know your limitations as well as the limitations of your equipment. Consult a qualified instructor before attempting any new activity or skill.
- Do not attempt to repair damaged or worn equipment or components yourself. Contact the manufacture to arrange for proper repair or replacement by a qualified professional.
- Test unit for stability prior to each use. Do not use it if you have any concerns about the stability, condition or suitability of this equipment.
- Inspect each component for damage, loose fittings or signs of wear before each use. Do not use if you have any concerns as to the condition of this equipment.
- Use this equipment only for its intended purpose. Do not modify equipment in any way.
- Before each subsequent use, re-check stability and settings of this equipment.
- Remember that no equipment can eliminate the possibility of injuries.
- This equipment is to be used only by properly trained, qualified persons under supervised conditions. Use without proper supervision is dangerous and should never be undertaken nor permitted.
- Manufacturer shall not be liable or responsible for personal injury or property damages incurred through use of this equipment.